

**D-SERIES**  
**DRM570730LT**

**Weidmüller Interface GmbH & Co. KG**  
 Klingenbergstraße 16  
 D-32758 Detmold  
 Germany  
 Fon: +49 5231 14-0  
 Fax: +49 5231 14-292083  
 www.weidmueller.com



Relay from the D-SERIES DRM.

- 2 or 4 CO contacts
- Compact design
- Wide range of coil voltages
- Optional test button (AC red, DC blue)
- Optional with integrated status display (AC red, DC green)  
and/or free-wheel diode

**General ordering data**

Type	DRM570730LT
Order No.	<a href="#">7760056104</a>
Version	D-SERIES, Relais, No. of contacts: 4, CO contact with test button, AgNi 90/10, Rated control voltage: 230 V AC, Continuous current: 5 A, Plug-in connection
GTIN (EAN)	4032248855605
Qty.	20 pc(s).

**D-SERIES  
DRM570730LT**

**Weidmüller Interface GmbH & Co. KG**  
 Klingenbergstraße 16  
 D-32758 Detmold  
 Germany  
 Fon: +49 5231 14-0  
 Fax: +49 5231 14-292083  
 www.weidmueller.com

**Technical data**
**Dimensions and weights**

Width	21.5 mm	Height	28 mm
Depth	36 mm	Net weight	36.15 g

**Temperatures**

Humidity	35...85 % rel. humidity, no condensation	Operating temperature	-40 °C...+55 °C
Storage temperature	-40 °C...+70 °C		

**Input**

Coil resistance	15000 Ω ± 10 %	Rated control voltage	230 V AC
Rated current AC	6.1 mA (50 Hz), 5.2 mA (60 Hz)	Power rating	1.0...1.2VA (60HZ)
Pull-inrop-out voltage, typ.	184 V / 69 V AC	Status indicator	red LED

**Output**

Rated switching voltage	250 V AC	Max. switching voltage, AC	250 V
Continuous current	5 A	AC switching capacity (resistive), max.	1250 VA @ 250 V
DC switching capacity (resistive), max.	120 W @ 24 V	Switch-on delay	< 20 ms
Switch-off delay	< 20 ms	Min. switching power	12 V / 10 mA
Max. switching frequency at rated load	0.1 Hz		

**Contact data**

No. of contacts	4	Contact design	CO contact with test button
Contact material	AgNi 90/10	Mechanical service life	AC coil 10 x 10 <sup>6</sup> Switching cycles, DC coil 30 x 10 <sup>6</sup> Switching cycles
Contact resistance	≤ 50 mΩ		

**General data**

Test button	Yes	Wire connection method	Plug-in connection
Humidity	35...85 % rel. humidity, no condensation	UL 94 flammability rating	V-0

**Insulation coordination**

Rated voltage	250 V	Protection degree	IP 20
Pollution severity	3	Surge voltage category	III

**Other technical data**

Version	with LED, with test button	Status indicator	red LED
---------	----------------------------	------------------	---------

**Further details of approvals / standards**

Certificate No. (cURus)	E312083
-------------------------	---------

**Connection data**

Wire connection method	Plug-in connection
------------------------	--------------------

Creation date June 2, 2014 11:55:34 AM CEST

**Data sheet****D-SERIES**  
**DRM570730LT****Weidmüller Interface GmbH & Co. KG**  
Klingenbergstraße 16  
D-32758 Detmold  
Germany  
Fon: +49 5231 14-0  
Fax: +49 5231 14-292083  
[www.weidmueller.com](http://www.weidmueller.com)**Technical data****Classifications**

eClass 6.2 27-37-16-01

**Approvals**

Approvals

**Downloads**Declaration of Conformity [K550\\_10\\_13.pdf](#)

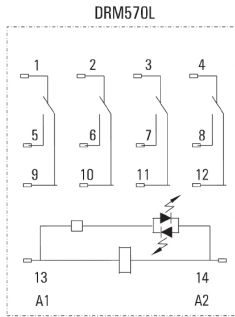
**Data sheet**

**D-SERIES  
DRM570730LT**

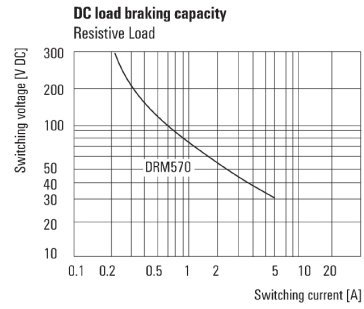
**Weidmüller Interface GmbH & Co. KG**  
 Klingenbergstraße 16  
 D-32758 Detmold  
 Germany  
 Fon: +49 5231 14-0  
 Fax: +49 5231 14-292083  
 www.weidmueller.com

**Drawings**

**Wiring diagram**

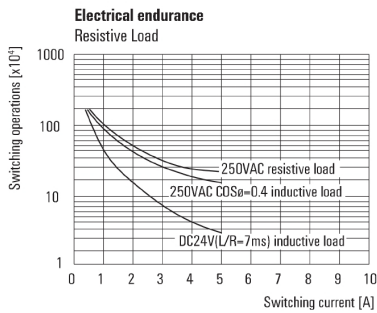


**DC load limit curve**

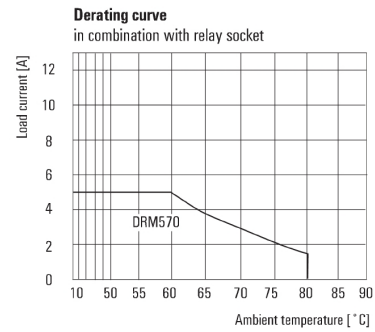


Resistive load

**Electrical service life**

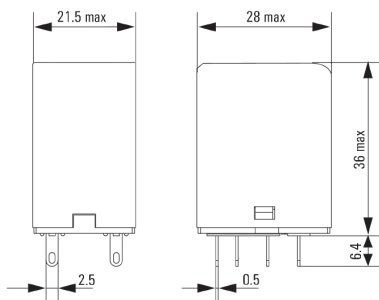


**Derating curve**



Relay in combination with base

**Dimensioned drawing**



**D-SERIES  
DRM570730LT**

**Weidmüller Interface GmbH & Co. KG**  
 Klingenbergstraße 16  
 D-32758 Detmold  
 Germany  
 Fon: +49 5231 14-0  
 Fax: +49 5231 14-292083  
 www.weidmueller.com

**Mating connector (fully pluggable)**

**Base**



Accessories for D-SERIES relays include:

- Relay bases
- LED / Protective modules
- Metal retaining clips

**General ordering data**

Type	Order No.	Version	GTIN (EAN)	Qty.
SCM 4CO ECO	<a href="#">7760056264</a>	D-SERIES, Relay base, Continuous current: 4 x 6 A, Screw connection	6944 169662973	10 pc(s).
FS 4CO	<a href="#">7760056107</a>	D-SERIES, Relay base, Continuous current: 10 A, Screw connection	4032248855575	10 pc(s).

**Data sheet**

**D-SERIES  
DRM570730LT**

**Weidmüller Interface GmbH & Co. KG**  
 Klingenbergstraße 16  
 D-32758 Detmold  
 Germany  
 Fon: +49 5231 14-0  
 Fax: +49 5231 14-292083  
 www.weidmueller.com

**Drawings**

**Type codes**

Type code		DRM					
Type	DRM						
Type of construction	570	4 change over contact					
Coil voltage	012	12 V DC	524	24 V AC			
	024	24 V DC	548	48 V AC			
	048	48 V DC	615	115 V AC			
	110	110 V DC	730	230 V AC			
	220	220 V DC					
LED	L (Red for AC coil; green for DC coil)						
Test lever	T (Red for AC coil; green for DC coil)						
Suppressor diode	D						